

# Hook Mounted Hoists

K1 Series



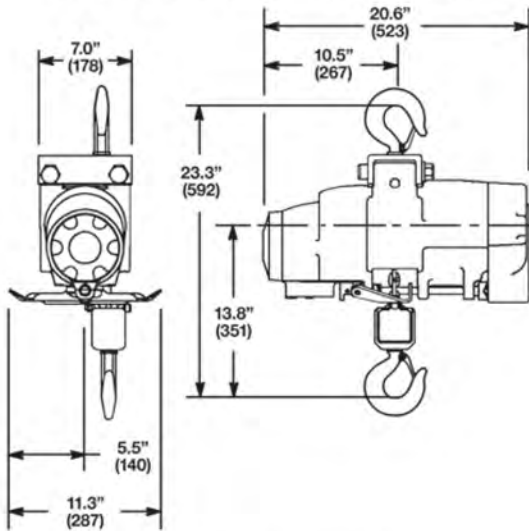
## K1 Series

Capacity:  
2200-8800 lbs. 1000-4000 kg

- Rotary Vane Air Motor
- Rope or Pendant Control
- Link Chain

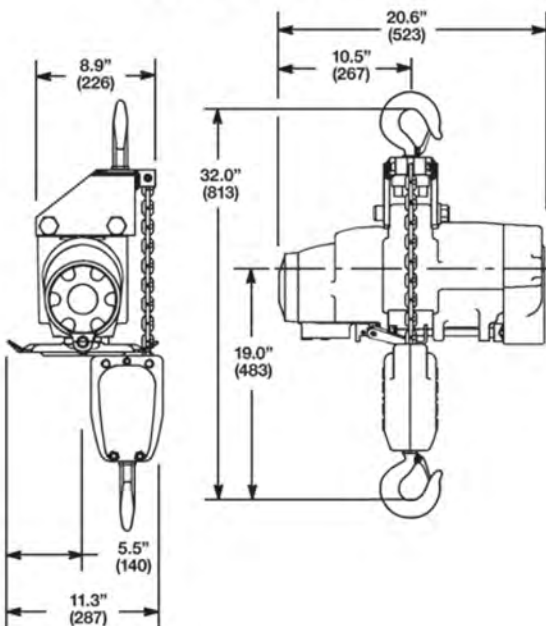
### Single Reeved

2200 lbs. (1000 kg), 3300 lbs. (1500 kg)  
& 4400 lbs. (2000 kg) Capacity



### Double Reeved

6600 lbs. (3000 kg) & 8800 lbs.  
(4000 kg) Capacity



**K1 H A 22 L P E P \_ \_ \_ A A A 22**

**SERIES**

K1

**TYPE MOUNT**

H = Hook

**FEATURES**

- A = Standard Unit
- H = Hi Temp Grease
- P = Epoxy Paint
- S = Epoxy Paint/Hi Temp Grease

**CAPACITY**

- 22 = 2200 lbs.
- 33 = 3300 lbs.
- 44 = 4400 lbs.
- 66 = 6600 lbs.
- 88 = 8800 lbs.

**CHAIN TYPE**

L = Link

**CONTROL TYPE**

- P = Pendant (Standard-2LVR)
- R = Rope
- W = None-Pendant Ready
- X = None

**CONTROL LENGTH**

- E = 5 FT
- J = 10 FT
- O = 15 FT
- T = 20 FT
- Y = 25 FT
- Z = None

**CHAIN OPTIONS**

- P = Zinc Plated Link
- X = No Chain

**CAPACITY RATING**

- 11 = 1100 lbs. (11/22/33/44)
- 22 = 2200 lbs. (22/33/44)
- 33 = 3300 lbs. (33/44)
- 34 = 3300 lbs. (66)
- 44 = 4400 lbs. (44)
- 45 = 4400 lbs. (66/88)
- 66 = 6600 lbs. (66)
- 88 = 8800 lbs. (88)

**VINTAGE**

A

**LOWER HOOK**

- A = Standard Link (22/33/44)
- B = Bullard Link (22/33/44)
- C = Standard Link (66/88)
- D = Bullard Link (66/88)
- X = No Hook

**UPPER HOOK**

- A = Standard (22/33/44)
- B = Bullard (22/33/44)
- C = Standard (66/88)
- D = Bullard (66/88)
- X = No Hook

**AMOUNT OF LIFT**

\_ \_ \_ Specify Length in Feet, 3 digits

Example: 10' lift 010

Note: Numbers in parentheses following an option, represent the hoist capacities for which that option is available.

| Model Number       |                    | Chain Type | Capacity |      | Lifting & Lowering Speeds |     |               |     | Reeves | Weight |    |
|--------------------|--------------------|------------|----------|------|---------------------------|-----|---------------|-----|--------|--------|----|
| Pendant Control    | Rope Control       |            | lbs.     | kg   | Maximum Lift              |     | Maximum Lower |     |        | lbs.   | kg |
|                    |                    |            |          |      | fpm                       | mpm | fpm           | mpm |        |        |    |
| K1HA22LPEP010AAA22 | K1HA22LREP010AAA22 | Link       | 2200     | 1000 | 33                        | 10  | 52            | 16  | 1      | 107    | 49 |
| K1HA33LPEP010AAA33 | K1HA33LREP010AAA33 | Link       | 3300     | 1500 | 21                        | 6   | 34            | 10  | 1      | 107    | 49 |
| K1HA44LPEP010AAA44 | K1HA44LREP010AAA44 | Link       | 4400     | 2000 | 15                        | 5   | 24            | 7   | 1      | 107    | 49 |
| K1HA66LPEP010CCA66 | K1HA66LREP010CCA66 | Link       | 6600     | 3000 | 10                        | 3   | 17            | 5   | 2      | 130    | 59 |
| K1HA88LPEP010CCA88 | K1HA88LREP010CCA88 | Link       | 8800     | 4000 | 7                         | 2   | 12            | 4   | 2      | 130    | 59 |

**General:**

Air Inlet: 1/2" NPT (use 3/4" I.D. Hose)  
 Performance rated at 90 psig (6 bar/620 kPa) air pressure,  
 Air Consumption 75 cfm (2.12m<sup>3</sup>/min.) at rated load.

**Standard Equipment:**

Hook mounted air hoist with 10 ft. (3.0m) lift  
 Rope Control: 5 ft. (1.5m) rope length  
 Pendant Control: 5 ft. (1.5m) hose length

**Extra Equipment:**

Chain container – page 54-55  
 Hoist trolleys – page 22  
 Auxiliary cable (Backup suspension) – page 57  
 Piped exhaust adapter (3/4" NPT) – 536567  
 Tractor connection kit – 516710