

Hook Mounted Hoists

P2 Series



P2 Series

Capacity:

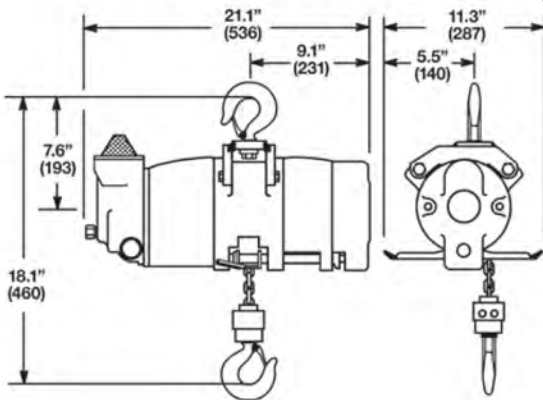
1100-4400 lbs. 500-2000 kg

- Axial Piston Air Motor
- Rope or Pendent Control
- Link or Roller Chain



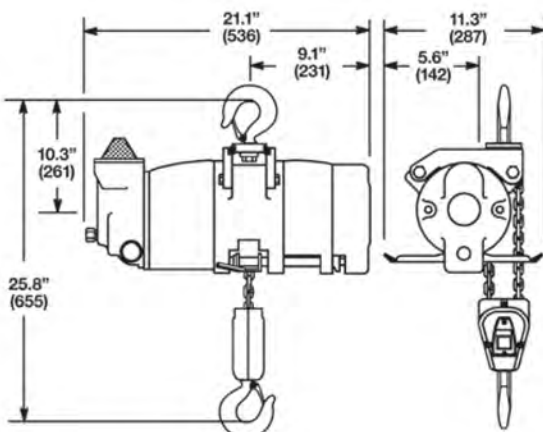
Single Reeved

1100 lbs. (500 kg), 1500 lbs. (680 kg)
& 2200 lbs. (1000 kg) Capacity



Double Reeved

3000 lbs. (1360 kg) & 4400 lbs.
(2000 kg) Capacity



P2 H A 11 L P E L _ _ _ A A A 11

SERIES
P2

TYPE MOUNT
H = Hook

FEATURES
A = Standard Unit
E = Edible grease
H = Hi Temp Grease
P = Epoxy Paint
R = Epoxy Paint/Edible Grease
S = Epoxy Paint/Hi Temp Grease

CAPACITY
10 = 1000 lbs.
11 = 1100 lbs. 30 = *3000 lbs.
15 = *1500 lbs. 22 = 2200 lbs. *Spark Resistant

CHAIN TYPE
L = Link
R = Roller

CONTROL TYPE
P = Pendant (Standard-2LVR)
R = Rope
T = No Control (Rope Ready)
W = None-Pendant Ready

CONTROL LENGTH
E = 5 FT T = 20 FT
J = 10 FT Y = 25 FT
O = 15 FT Z = No Control Length

CHAIN OPTIONS
L = Standard Link P = Zinc Plated Link
R = Standard Roller X = No Chain
Q = S.R. Link

CAPACITY RATING
03 = 300 lbs. (10/11/15)
05 = 500 lbs. (10/11/15)
10 = 1000 lbs. (10/11/15)
11 = 1000 lbs. (10/15/22)
15 = 1500 lbs. (15/22)
20 = 2000 lbs. (22)
22 = 2200 lbs. (22)
30 = 3000 lbs. (30/44)
31 = 1100 lbs. (30/44)
32 = 2200 lbs. (30/44)
40 = 4000 lbs. (44)
44 = 4400 lbs. (44)

VINTAGE

A

LOWER HOOK

A = Standard (11/22)
B = Bullard (11/22)
C = S.R. Standard Link (10/15)
D = S.R. Bullard (10/15)
E = S.R. Standard Link (30)
F = S.R. Bullard Link (30)
G = Standard Link (44)
H = Bullard Link (44)
I = Standard Roller (44)
J = Bullard Roller (44)
K = Standard Roller (11/22)
L = Bullard Roller (11/22)
X = No Hook

UPPER HOOK

A = Standard (11/22)
B = Bullard (11/22)
C = S.R. Standard (10/15)
D = S.R. Bullard (10/15)
E = S.R. Standard (30)
F = S.R. Bullard (30)
G = Standard (44)
H = Bullard (44)
X = No Hook

AMOUNT OF LIFT

_ _ _ Specify Length in Feet, 3 digits

Example: 10' lift 010

Note: Numbers in parentheses following an option, represent the hoist capacities for which that option is available.

Model Number		Chain Type	Capacity		Lifting & Lowering Speeds				Reeves	Weight	
Pendant Control	Rope Control		lbs.	kg	Lifting fpm	Lifting mpm	Lowering fpm	Lowering mpm		lbs.	kg
P2HA11LPEL010AAA11	P2HA11LREL010AAA11	Link	1100	500	34	10	107	33	1	94	43
P2HA11RPER010AKA11	P2HA11RRER010AKA11	Roller	1100	500	34	10	107	33	1	94	43
P2HA22LPEL010AAA22	P2HA22LREL010AAA22	Link	2200	1000	17	5	56	17	1	94	43
P2HA22RPER010AKA22	P2HA22RRER010AKA22	Roller	2200	1000	17	5	56	17	1	94	43
P2HA44LPEL010GGA44	P2HA44LREL010GGA44	Link	4400	2000	9	3	28	9	2	126	57
P2HA44RPER010GIA44	P2HA44RRER010GIA44	Roller	4400	2000	9	3	28	9	2	126	57
Spark Resistant Units											
P2HA10LPEQ010CCA10	P2HA10LREQ010CCA10	Link	1000	454	38	12	107	33	1	94	43
P2HA15LPEQ010CCA15	P2HA15LREQ010CCA15	Link	1500	680	23	7	58	18	1	94	43
P2HA30LPEQ010EEA30	P2HA30LREQ010EEA30	Link	3000	1360	11	3	26	8	2	126	57

General:
Air Inlet: 3/8" NPT (use 1/2" I.D. Hose)
Performance rated at 90 psig (6 bar/620 kPa) air pressure.
Air Consumption 44 cfm (1.3 m³/min.) at rated load.

Standard Equipment:
Hook mounted air hoist with 10 ft. (3.0m) lift
Rope Control: 5 ft. (1.5m) rope length
Pendant Control: 5 ft. (1.5m) hose length

Extra Equipment:
Chain container – pages 54-55
Hoist trolleys – page 22
Auxiliary cable (Backup suspension) – page 57
Piped exhaust adapter (3/4" NPT) – 535779